

September 27, 2012

Restroom Dryers

World Dryer Model A5

Men's restroom serial # 735558

Motor: World Dryer Corp. Model 210, E187812, 1/10 HP, 7500 RPM

Replacement brushes (every 3 years) 206NL

For parts, call Maureen Hartwig 1-800-323-0701 X 126

Thermostat - \$12.00

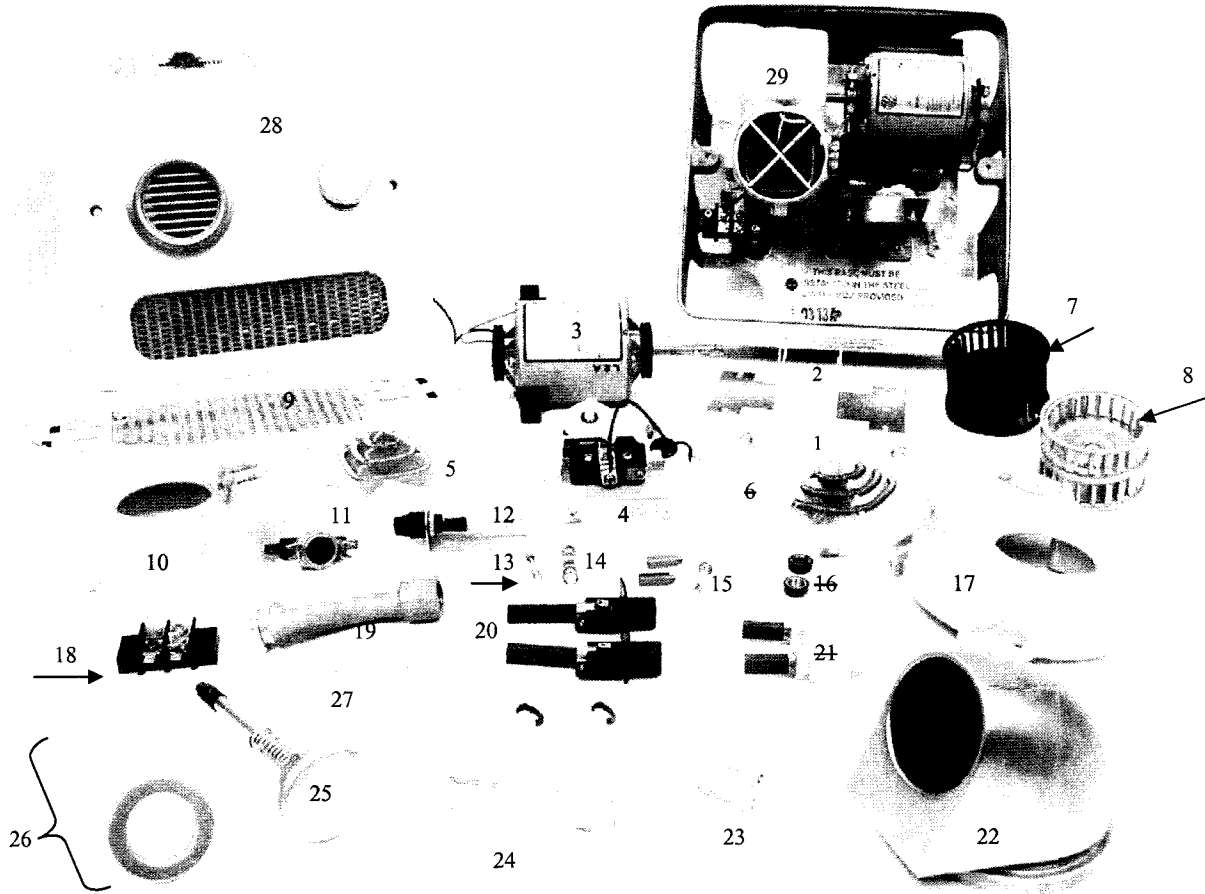
Motor Brushes \$22.00 X 2 = \$44.00 per dryer (+tax)



Illustration No.69A021  
www.worlddryer.com

World Dryer ©®5700 McDermott Drive Berkeley Illinois 60163  
Toll free (800) 323-0701 Phone (708) 449-6950 Fax (708) 449-6958

5/08



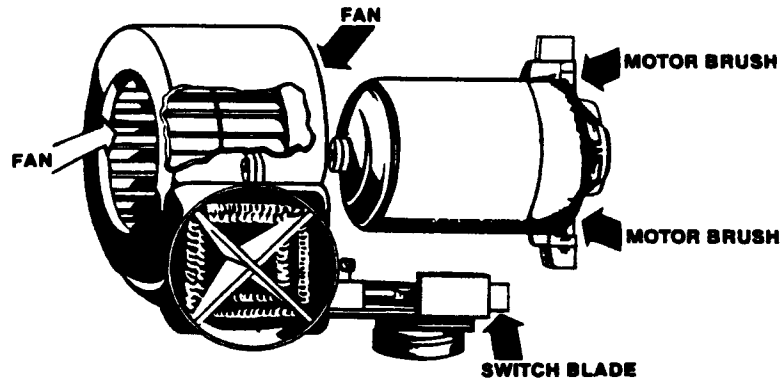
Item No.	Part No.	Description	Item No.	Part No.	Description
1	110-4A	Motor clamp unit	19	100BRK	Offset connector
2	110-4	Motor mounting	20	206NL	Motor brushes WD w/cartridge
3	210K*	Blower motor 115V	21	<del>206FN</del>	<del>Motor brushes GE w/cartridge</del>
4	225*	Switch timer 115V 30sec.	22	180K	Nozzle assembly rotary
5	213*	Element 115V 20A	23	100B2	Surface TP cover screw set
6	<del>113*</del>	<del>Element 115V 20A W/CB</del>	24	100B3	Recess TP cover screw set
7	101P	Fan balanced plastic	25	185K	Pushbutton assembly kit
8	101I	Fan balanced metal	26	190K	Pushbtn adaptor & bushing kit
9	194-1K	Surface inlet grille kit	27	204TP	Cover bolt TP Allen wrench
10	112PA	Scroll and terminal assembly	28	703A5E+*	Recess cover complete
11	1111-03	WD thermostat disc 115F	29	1313A*	Recess base complete
12	100F3AK	Fuse holder kit			
13	100E	Fuse; 2A slow blow, glass			
14	100E2	Fuse; 5A cartridge (SC-5)			
15	206H	Motor brushes (G.E., w/caps)			
16	<del>207H</del>	<del>Motor brush caps</del>			
17	211PK	Replacement kit for 111P			
18	156-3K*	Recess terminal kit			

**Please note items marked with \* Need model and serial number when ordering replacement parts.**  
**Parts marked with + specify color.**  
**Lined through items are obsolete.**

*5 Minutes of Preventions is worth Hours of Repair*

# CLEANING INSTRUCTIONS

Under normal use, cleaning the Dryer once a year will keep it in good operating condition. If the washroom traffic is heavier than normal, the cleaning should be done every 6 months. Lint and dust build up inside the dryer can result in damage to motor and heating element as well as hot emissions that could injure the user.



Read complete instructions before proceeding.

1. Turn off dryer at circuit breaker or fuse panel.
2. Remove two safety socket screws from dryer cover using special wrench provided. Support cover while removing screws.
3. Remove three (3) side screws holding blower housing together. Note position of heating element. Lead wires are directed at relief hole in blower housing halves. Carefully remove heating element from housing location, but do not disconnect wires.
4. Clean blower wheel halves using a ½ inch diameter radial bristle brush. Insert brush through space between individual blades and dislodge dirt. **Do not bend blades.**
5. Vacuum out dirt from blower and housing, reposition heating element and housing half and replace three (3) side screws. **Caution:** Tighten gently making sure that ceramic heating element pieces are positioned in housing slots with connecting wires passing through blower housing hole.
6. Use soft-medium bristle ½ inch paint brush to clean dust and dirt from motor and switch timer. **Caution: Do not bend switch blade** when cleaning.
7. Use a stiff brush to clean dirt from inside of nozzle grill and inlet grill. **Caution:** water may be necessary to flush dirt from inlet grill. Dry inside of cover before replacing if water is used.
8. **GENERAL ELECTRIC MOTOR**  
Inspect motor brushes. To inspect brushes insert tooth pick in hole in end of brush assembly. If tooth pick is inserted more than one inch, replace brushes. (See replacement instructions on other side).
- 8a. **WORLD DRYER MOTOR (NORHLAND)**  
No inspection required. (See replacement instructions on other side).
9. Replace Cover.  
Place cover squarely over base and push flush to wall. Insert 2 Allen screws and tighten until snug. **Do not over tighten.**

# SERVICE INSTRUCTIONS

## PROBLEM:

1. When button is pressed and dryer fails to start although a glow is seen through nozzle, the MOTOR BRUSHES should be replaced. Motor fuse should also be checked.
2. When dryer blows cold air, the HEATING ELEMENT should be replaced.
3. Dryer keeps running and will not shut off — or dryer will only run when pushbutton is held in. The SWITCH TIMER ASSEMBLY should be replaced.

## INSTRUCTIONS:

1. Remove fuse or shut off power to the dryer at fuse box.
2. With Allen wrench supplied with dryer, remove two Allen screws from bottom side of dryer case.
3. Remove dryer cover.

## REPLACEMENT OF MOTOR BRUSHES (206NL): World Dryer Motor

- a) Remove locking spring clip securing brush holder.
- b) Draw brush cap out of motor slowly until wire connector appears.
- c) Detach wire connector and remove brush and holder assembly.
- d) NOTE: When unpacking brush assembly from carton it is important to hold carbon brush in brush holder securely. P/N 206NL
- e) Insert new assembly to point where wire quick connect connection can be made.
- f) Push brush quick-connects on motor and brush sleeve together.
- g) Push brush assembly back in place and insert locking clip.

## REPLACEMENT OF MOTOR BRUSHES (206FN): General Electric Motor *OBSOLETE!*

- a) With Phillips screw driver remove one screw on clamp (210FN).
- b) Bend back slightly and pull the plastic brush holder away and out from the motor.
- c) Insert new brush making sure the ridge on the motor brush assembly fits in the groove on motor, and that the brass tab on the motor slides in slot of brush holder between brass sleeve and outer plastic case.
- d) If inserted right, the brush assembly will hold itself in place while you insert the screw in the clamp.

## REPLACEMENT OF HEATING ELEMENT:

- a) Remove three screws holding fan housing (#111 and #112) together, and remove #112 side of housing.
- b) Remove screws on terminal block and switch to which white wires of heating element are connected, and replace with new element. (#113\*).
- c) Hold element in position on stationary side of fan housing and slip removable side in place, making sure element frames fit into grooves in fan housing and both wires run thru notch at top of air outlet, and replace three screws fastening fan housing together.
- d) Re-connect wires to terminal block and switch. Check wiring diagram on cover.

## REPLACEMENT OF SWITCH TIMER:

- a) Remove screws from each of the two terminals on switch timer, marking wires for correct reconnection to switch terminals.
  - b) Replace defective timer with new one. (Specify Dryer Model when ordering Timer.)
  - c) Reconnect wires to terminals.
  4. Replace cover (be sure cover fits squarely over base unit) and push in until cover is flush with wall and insert two Allen screws.
  5. Turn on power to dryer.
- \*Be certain that proper voltage and wattage element is used.